
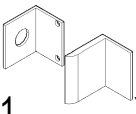
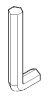

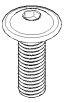
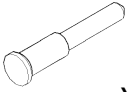


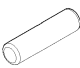
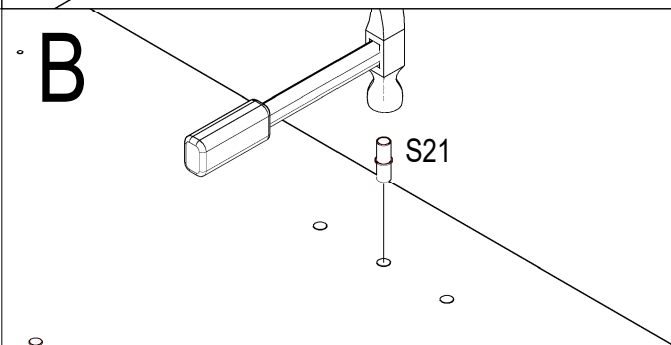
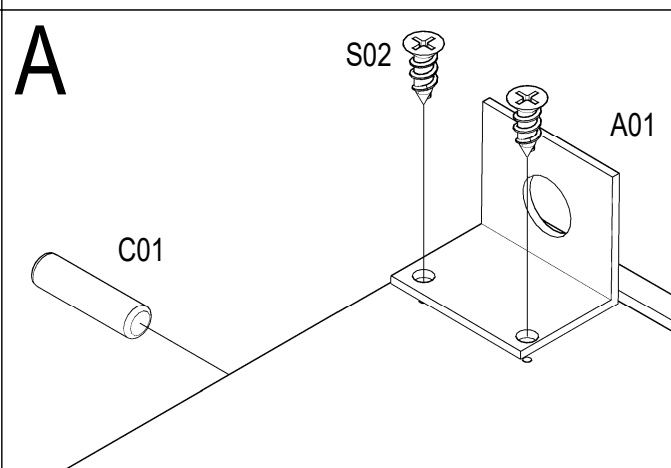
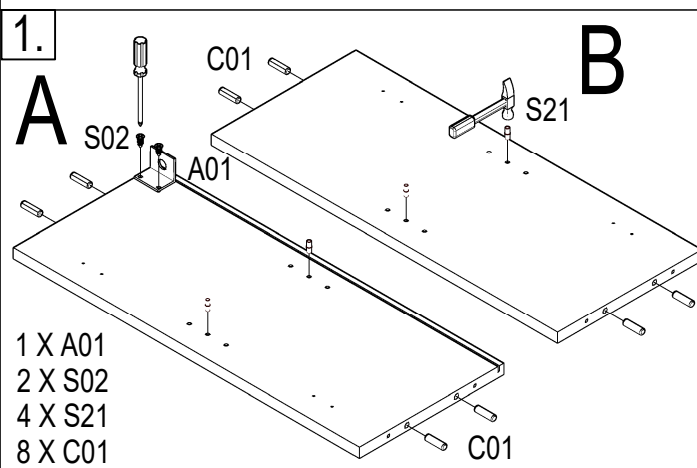
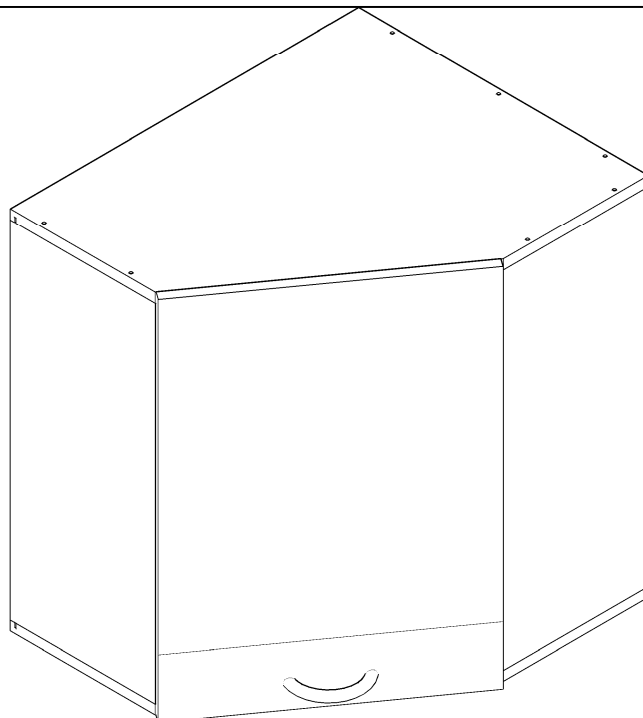
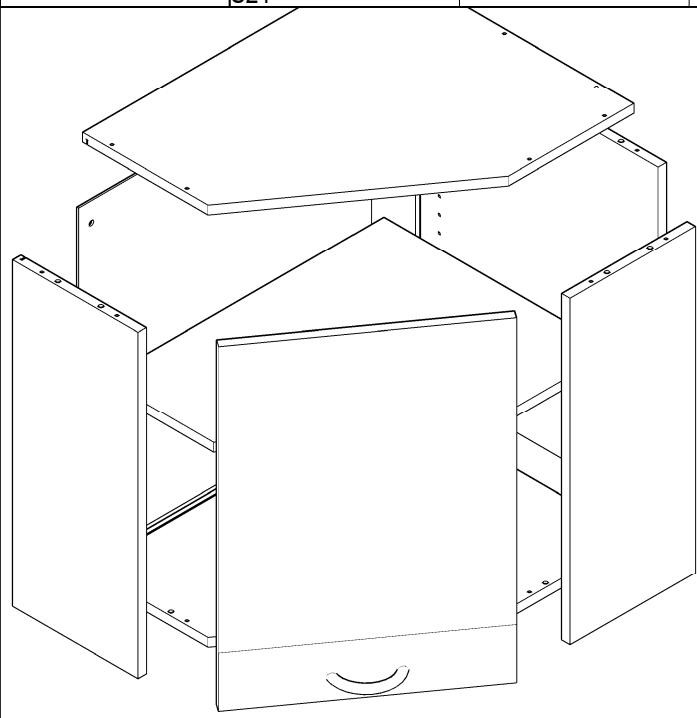
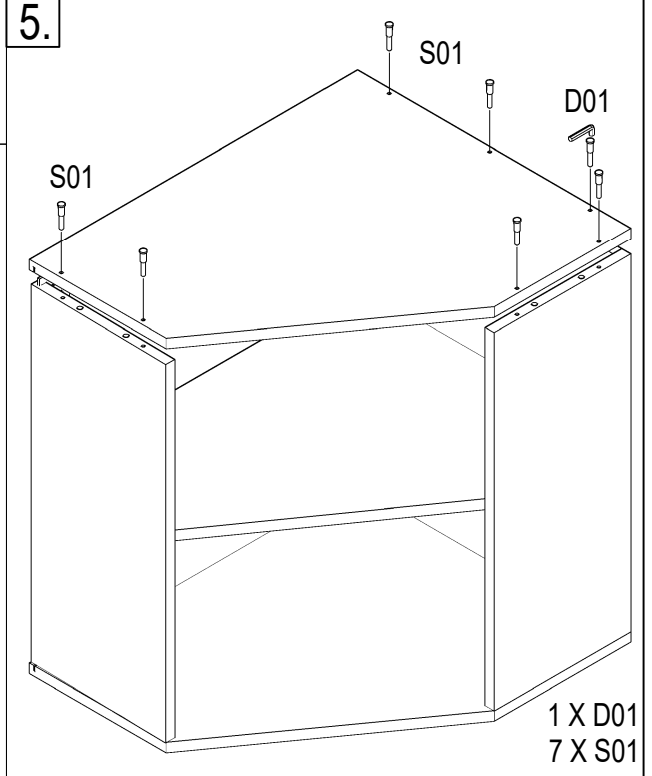
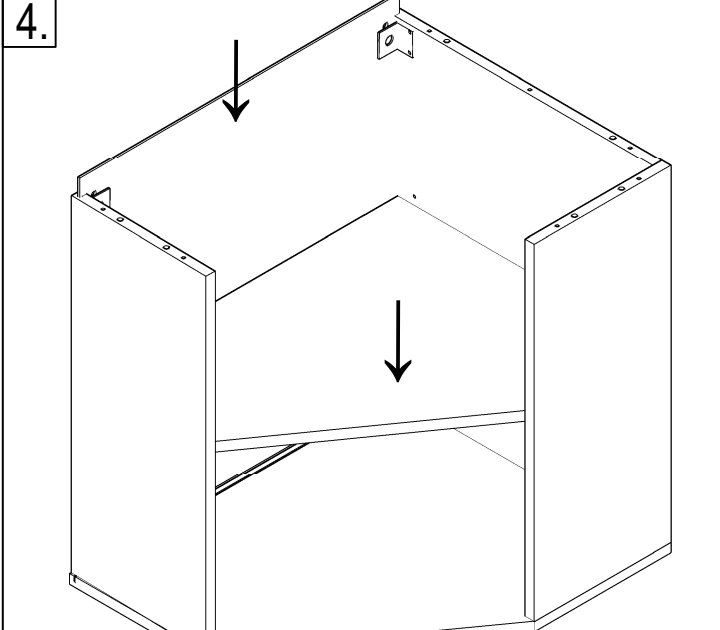
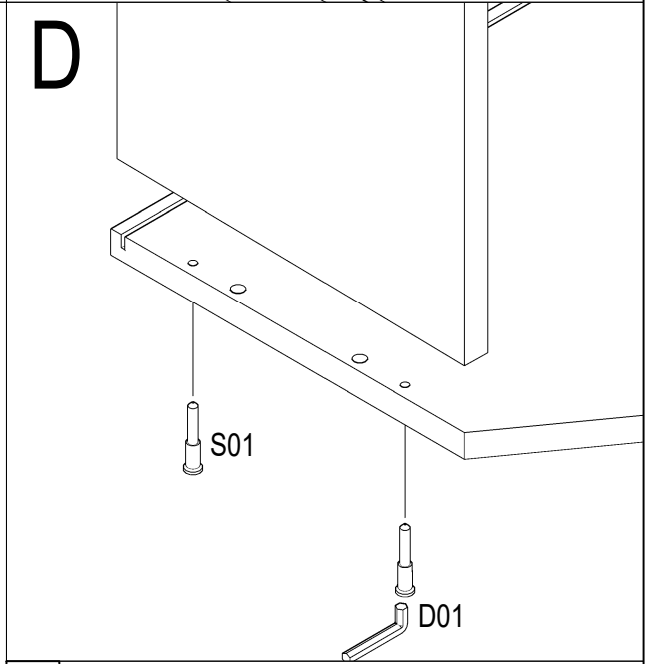
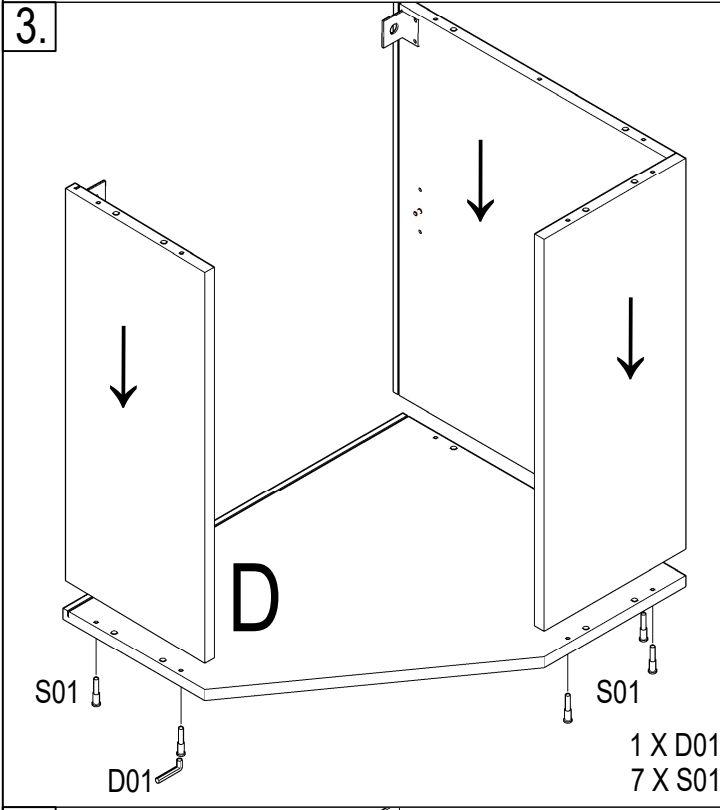
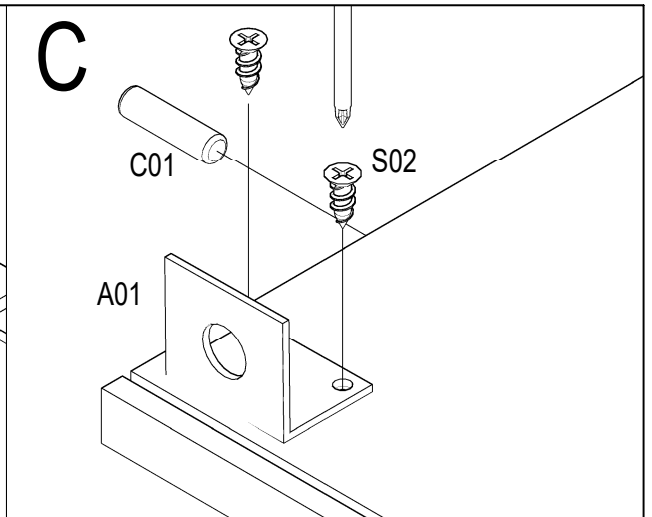
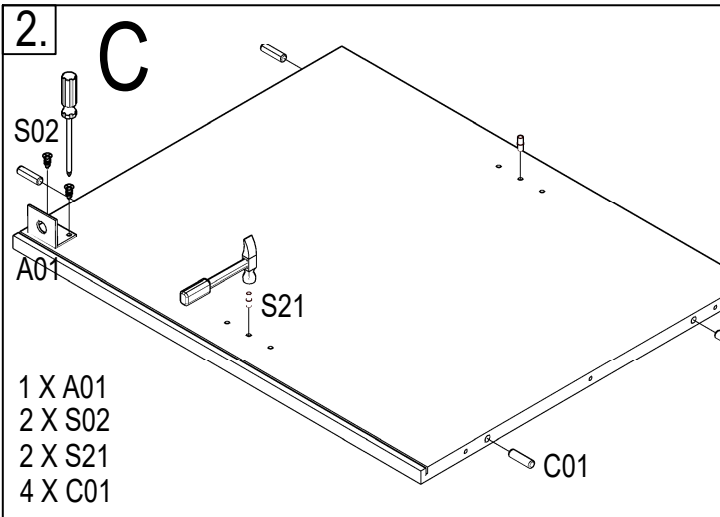


# NR.131

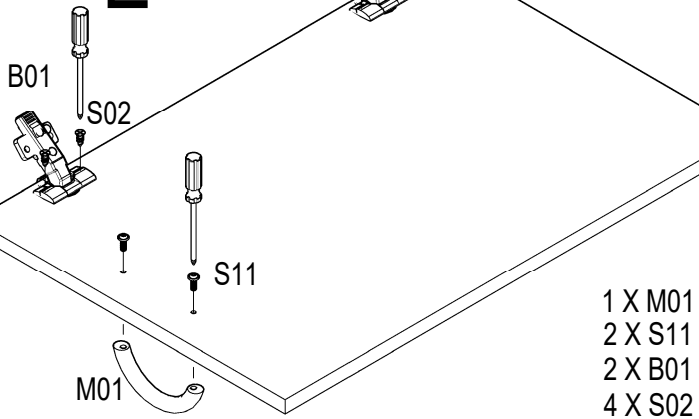
 <b>3.5x16</b> <b>S02 x12</b>	 <b>A01 x2</b>	 <b>D01 x1 x2</b>	 <b>B01 x2</b>	 <b>M4X22</b> <b>S11 x2</b>	 <b>S01 x14</b>
 <b>M01 x1</b>	 <b>S21 x6</b>	 <b>C01 x12</b>			





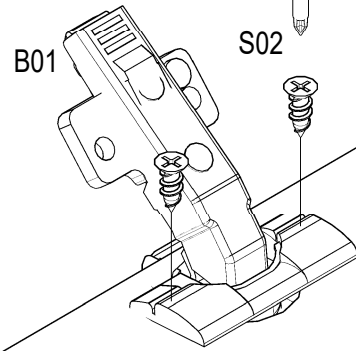
6.

E



- 1 X M01
- 2 X S11
- 2 X B01
- 4 X S02

E



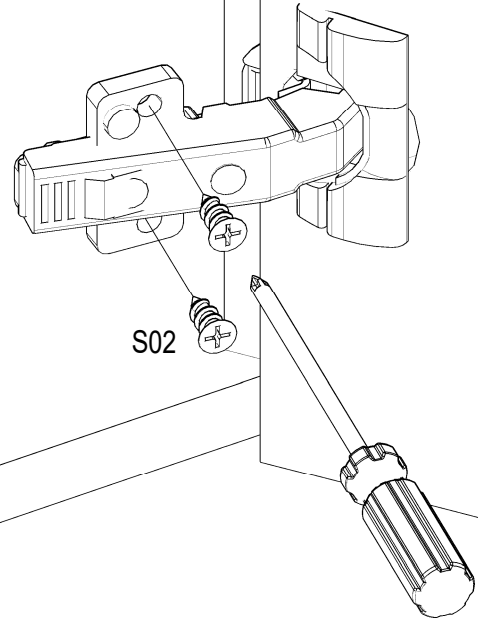
7.

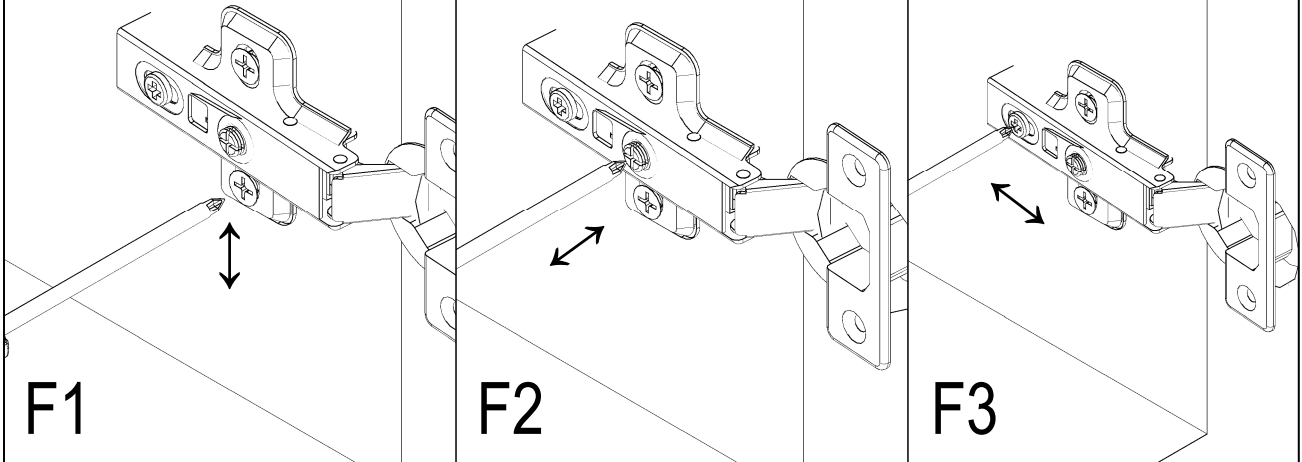
S02

F

- 4 X S02

F





F1

F2

F3

HEIGHT ADJUSTEMENT    SIDE ADJUSTEMENT    DEPTH ADJUSTEMENT